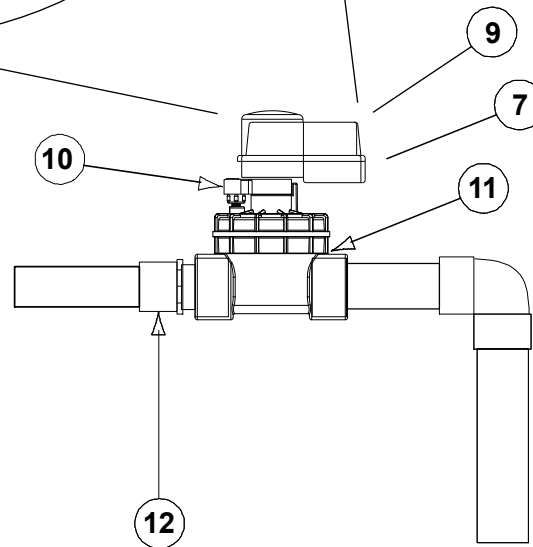
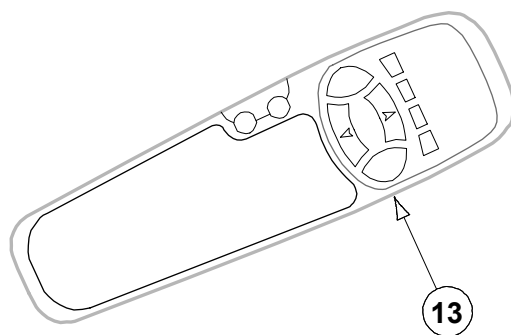


- ① Interval Button
- ② Interval Light
- ③ Run Time Button
- ④ On Light
- ⑤ Off Light
- ⑥ Ready Receive Button
- ⑦ Battery Assembly
- ⑧ Connector Pin
- ⑨ IBOC 300 (side view)
- ⑩ VA 12 Adapter (not shown) and Manual Bleed lever (included)
- ⑪ Irritrol Irrigation Valve w/internal manual bleed shown
- ⑫ Associated hardware as required
- ⑬ RCP8 Plus Remote Control Programmer shown (optional)



NOTE: Refer to product literature for additional installation and adjustment information.

This drawing is provided for reference only. Individual project requirements and local codes may dictate differences in installation procedure that are not identified here.

IBOC 300